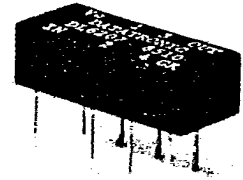


SERIES 604 5-TAPS 16 PIN FAST LOGIC DELAY MODULES

- 16 Pin DIL Package • TTL and DTL Compatible • 5 Equally Spaced Taps

Specifications:

- Supply Voltage : 4.75 to 5.25VDC
- Logic 1 Input Current : 100µA Max
- Logic 0 Input Current : -1.6mA Max
- Logic 1 Volt Out : 2.5V Min
- Logic 0 Volt Out : 0.5V Max
- Logic 1 Fan-Out : 25 Max
- Logic 0 Fan-Out : 12.5 Max
- Output Rise Time⁽²⁾ : 2NSEC TYP.
- Operating Temp Range : 0°C to 70°C
- Temperature Coefficient : 100 PPM/°C



Input Test Conditions:

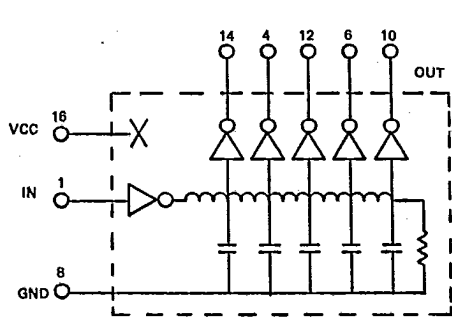
- Input Pulse Voltage : 3.2V
- Input Rise Time : $\leq 2\text{NS}$
- Pulse Width : 40% of Total Delay
- Supply Current ICCL* : 32mA
- ICCH* : 7mA

Electrical Specifications at 25°C (Measured with no Loads on Taps)

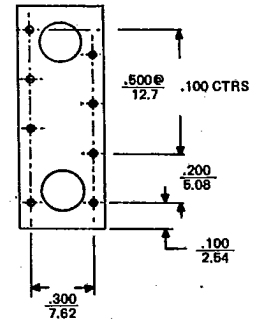
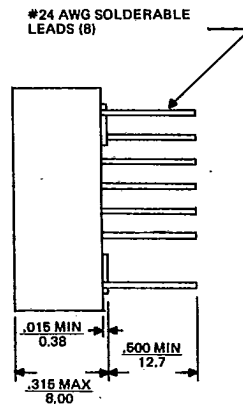
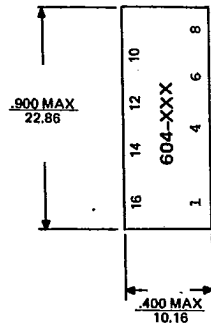
Part Number	Total Delay Nanosecond (1)	Tap To Tap Delay NSEC (1)
604-4*	4±1	1±0.5
604-5*	5±1	1.2±0.5
604-6*	6±1	1.5±0.5
604-8*	8±2	2±0.5
604-10*	10±2	2.5±0.5
604-12*	12±2	3±0.5
604-16*	16±2	4±0.6
604-25	25±2	5±0.8
604-30	30±2	6±1
604-35	35±2	7±1
604-40	40±2	8±1
604-45	45±2.2	9±1
604-50	50±2.5	10±2
604-60	60±3	12±2
604-75	75±3.5	15±2
604-100	100±5.0	20±2
604-125	125±5.5	25±2
604-150	150±6.0	30±3
604-175	175±8.7	35±3.5
604-200	200±10	40±4
604-250	250±12.5	50±5
604-300	300±15	60±6
604-350	350±17.5	70±7
604-400	400±20	80±8
604-500	500±25	100±10

Note: (1) Measured at 1.5v level leading edge.
 (2) Measured from 0.75v to 2.4v.
 *Time Delay measured with respect to 1st Tap.

Version A profile 0.250 inch and B profile 0.210 inch are available. Please add A or B to above part number if lower profile is required. (i.e. DL604-4A or DL604-4B)



SCHEMATIC



INCHES .XXX ± .010
 MILLIMETERS .XX ± .25